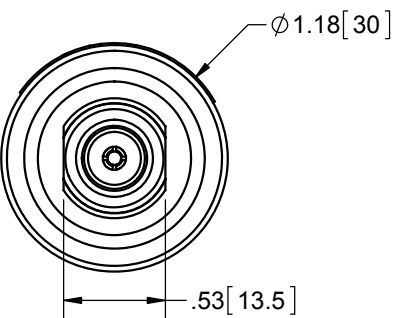
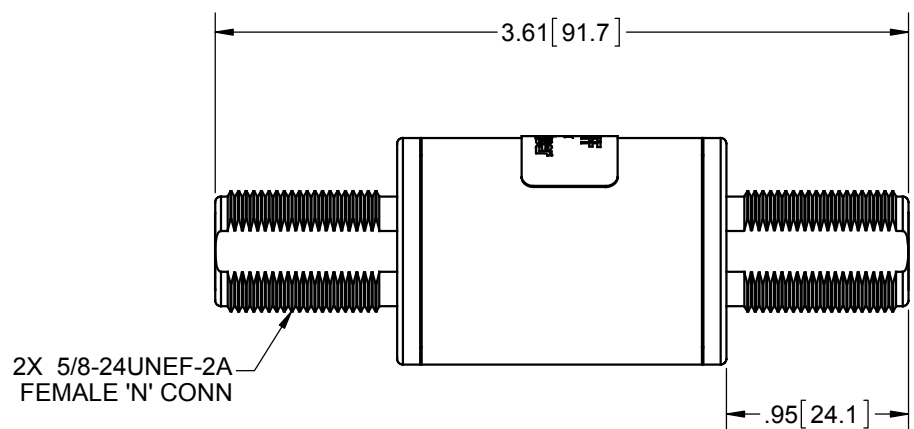
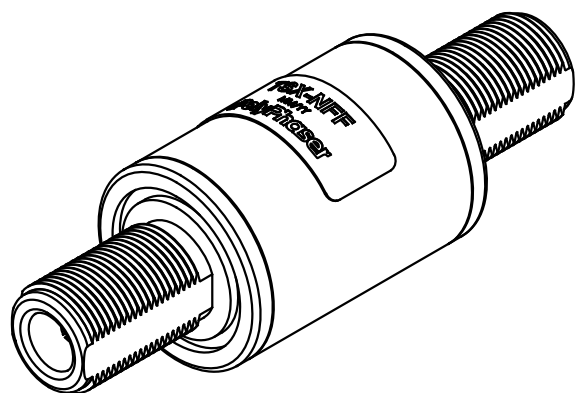


REVISIONS				
REV.	DESCRIPTION	ECN	DATE	APPROVED
A	PRE-PRODUCTION RELEASE		5/15/12	CP



MAXIMUM CHARACTERISTICS

APPLICATION:
DC SHORT/RF ONLY (NO POWER SUPPLY PROVISIONS)
BULKHEAD MOUNT BI-DIRECTIONAL
WEATHERPROOF WHEN INSTALLED

FREQUENCY RANGE:
698MHz TO 2.7GHz @ -26dB RETURN LOSS

MAX SURGE:
IEC 61000-4-5 8/20µs WAVEFORM
40kA MAX
20kA MULTIPLE

INSERTION LOSS:
≤0.1dB

CONTINUOUS POWER:
500W @ 920MHz
(750W @ 50°C)

LET THROUGH VOLTAGE:
≤±200mV FOR 3kA @ 8/20µs WAVEFORM

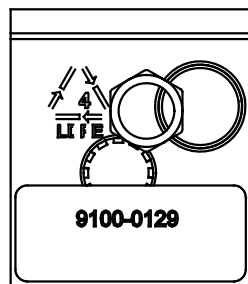
THROUGHPUT ENERGY:
≤5nJ FOR 3kA @ 8/20µs WAVEFORM

TEMPERATURE:
-50°C TO +85°C STORAGE/OPERATING

VIBRATION:
1G @ 5Hz TO 100Hz

MATERIAL:
BODY: TRI-PLATED BRASS
PTFE: DIELECTRIC
CENTER PINS: GOLD PLATED

ENVIRONMENTAL:
MEETS IEC 60529 IP67
MEETS BELLCORE #TA-NWT-000487
PROCEDURE 4.11, 120MPH WIND DRIVEN
RAIN INTRUSION TEST
RoHS COMPLIANT



QTY	DESCRIPTION
1	5/8 MOUNTING NUT
1	INT TOOTH LOCKWASER
1	O-RING

CUSTOMER APPROVAL: _____ DATE: _____

ALL DIMENSIONS SHOWN ARE FOR REFERENCE ONLY.

UNLESS OTHERWISE SPECIFIED LEADING DIMENSIONS ARE INCHES DIMENSIONS IN [] ARE MILLIMETERS		DRAWN RD 02/09/2012		PolyPhaser	
TOLERANCES: FRACTIONS=± 1/32 .XX=± .01 ANGLES=± 1° .XXX=± .005		ENG APPD JJ 5/15/12			
MATERIAL		PRODUCT MGR CP 5/15/12			
THIRD-ANGLE PROJECTION		MARKETING APPD LJ 5/15/12			
NOTICE: THE INFORMATION AND DESIGN IN THIS DOCUMENT IS THE PROPERTY OF TRANSECTOR SYSTEMS. ALL RIGHTS RESERVED.		PROJECT NO.		TITLE BI-DIRECTIONAL BROADBAND DC SHORT FILTER 'N' CUSTOMER SPECIFICATION	
SCALE 1:1	SIZE B	CAGE 61114	DOCUMENT NAME TSX-NFF-C	REV A	
	SCALE	PROD CAT RFP	PART NUMBER TSX-NFF	SHEET 1	OF 1

THESE COMMODITIES, TECHNOLOGY OR SOFTWARE WERE EXPORTED FROM THE UNITED STATES IN ACCORDANCE WITH THE EXPORT ADMINISTRATION REGULATIONS. DIVERSION CONTRARY TO U.S. LAW PROHIBITED.