

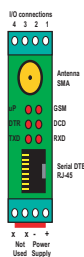
# DinBox GSM/GPRS

DINrail GSM/GPRS modem



The Bausch DinBox range is especially designed for industrial use offering a DIN-rail housing, watchdog security and 'pocket size dimensions'.

- Features:
- Serial RS-232 GSM/GPRS modem
  - Wide range DC power supply (10-50Vdc)
  - Industrial DINrail housing
  - 'Pocket size' dimensions: 22,5 mm x 75,0 mm x 107,5 mm
  - Watchdog circuit
  - Worldwide CE/UL/CSA certification



The DinBox GSM/GPRS is a serial V.24/RS-232 DIN-rail Dual band (900/1800 MHz) GSM modem or EGSM/GPRS modem for M<sup>2</sup>M applications with a Wavecom Q24PL module inside.

The modem is designed in a robust 22.5 mm wide DIN-rail housing with a wide range DC power supply and has a long term watchdog implemented.

Also the DinBox GSM/GPRS is suitable for basic SMS messaging for 3 specific applications:

1. When contact (DI) changes a specific message for a specific telephone number is generated and sent
2. When contact (DI) changes a specific message for different recipients is generated and sent in a round-robin way
3. Remote control/contact via SMS application: when contact (DI) changes the modem sends a SMS to another DinBox GSM/GPRS which starts a specific application over a Digital Output (DO)

We can also deliver a DinBox GSM/GPRS which is preconfigured in a permanent TCP socket listen (server) mode and with an active APN connection. This GPRS application is especially made for customers willing to replace serial PSTN modems in the field by GPRS modems. In this application we emulate a PSTN modem in a permanent answering mode (ATS0=1) but communicating with a central dispatch system over GPRS. Of course we need a fixed IP address to make this application work !

## Typical Applications

- Remote reading of utility meters
- Vending machine monitoring
- Remote control (via SMS messaging)
- Security alarms & SMS messaging
- Measurement instruments
- Surveillance systems
- Point of Sales ...

# BAUSCH DATACOM

Bausch Datacom NV/SA  
Tiensesteenweg 54/56  
B-3360 Korbeek-Lo

Tel.: Int 32 (0)16 46 12 88  
Fax: Int 32(0)16 46 31 51  
Belgium

<http://www.bausch.be/>  
<http://www.bauschdatacom.be>  
E-mail: [info@bausch.be](mailto:info@bausch.be)



# Specifications

## Housing

Phoenix EG22,5 ABS DIN rail housing  
(EG22.5-G/ABS GN + EG22.5-A/ABS GN)  
22.5 mm x 107.5 mm x 75 mm

## Environmental

-10°C / + 50°C  
10% - 75% (non condensing)

## Power Supply

Integrated power supply 9-40 or 50 Vdc (HV version)  
Maximum power output: 2 W @ 900 MHz / 1 W @ 1800 MHz

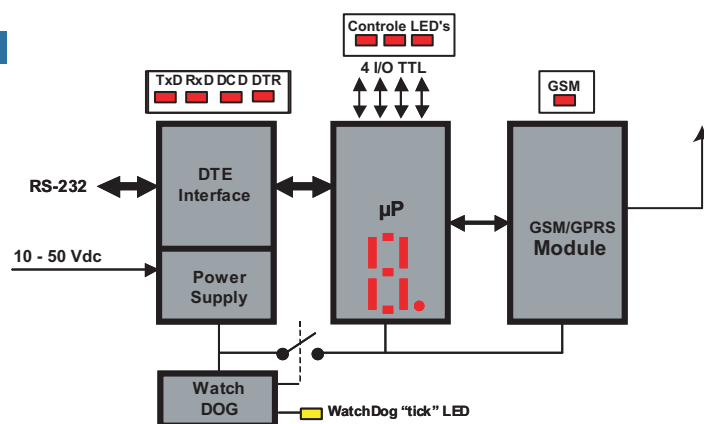
## GSM modem specifications

Din-rail Quad-band 800/900/1800/1900 MHz GSM/GPRS modem for M<sup>2</sup>M applications  
Long term watchdog (reset every 24 hours)  
Embedded Wavecom Q24 Plus GSM + GPRS voice & data module  
Built-in ARM7 CPU based native execution of ANSI C programs  
Atmel Communication Control Processor (I/O handling, management)  
Magnetic Dual band antenna included (standard SMA connector)  
Integrated 3V SIM card reader  
Maximum power output: 2 W @ 900 MHz / 1 W @ 1800 MHz  
Communication protocol: GPRS Class 10  
Open AT IDE: Open AT firmware version 6.57d allows for complete customization control  
GSM data: asynchronous transparent mode: DTE interface with speeds up to 115.200 bps (RS-232 interface)  
Flow control (RTS/CTS - XON/XOFF) and speed buffering  
Automatic format and speed sensing (300 to 115.200 bps)  
AT Command set support  
Circuit-switched 14.4 Kbps data and Group 3 FAX (Class 1 and 2)  
Software DOT ( Downloaded Over the Air )  
I/O possible for specific and basic SMS messaging

## Approvals

CE, FCC, CSA/UL

## Block diagram



# BAUSCH DATACOM

Bausch Datacom NV/SA  
Tiensesteenweg 54/56  
B-3360 Korbeek-Lo

Tel.: Int 32 (0)16 46 12 88  
Fax: Int 32(0)16 46 31 51  
Belgium

<http://www.bausch.be/>  
<http://www.bauschdatacom.be>  
E-mail: [info@bausch.be](mailto:info@bausch.be)

**BAUSCH**  
datacom

